

Pit Stop Challenge

Packing List

<u>DESCRIPTION</u>	<u>QUANTITY</u>
VINYL CANVAS	1
"FOUR-WAY" FITTINGS	2
"ELBOW" FITTINGS	2
"TEE" FITTINGS	2
PIPE A — 44.5" (SWEDGED)	8
PIPE B — 41.5" (UNSWEDGED)	4
PIPE C — 36" (W/PLASTIC CAP)	4
PIPE D — 23.25"	2
PIPE E — 16.5" (with "Tee" & "Cross" Fittings attached)	2
STAKES	4
HUBS	3
TIRES	4
EXTRA STUDS	4
LUG NUTS	12
TIRE IRONS	2
STORAGE BAG (PIPE)	1
STORAGE BAG (TIRE)	1
BALL BUNGEEES	32
STOP WATCH	1

TWISTER DISPLAY

P.O. BOX 2704 — EAST LIVERPOOL, OH 43920
PHONE (330) 386-1270 — FAX (330) 386-0418
ORDER DESK (800) 637-3656
EMAIL sales@twisterdisplay.com

Pit Stop Challenge

Assembly Instructions

1. Select a level area to operate game with plenty of room to allow for a line to form. Keep a safe distance (at least fifteen feet clearance on all sides) between player and spectators.
2. Assemble framework, per sketch. (Be sure to tighten down the fittings using the small bolts on them.)
3. Attach canvas to the framework using the Velcro straps. (Keep the tee fittings loose so that the two center vertical lengths can be slid to the left or right in order to align the hubs with the holes in the canvas. Once they are aligned, then tighten the eyebolts.)
4. If using game outdoors, it is strongly suggested that you use the stakes provided on either side of the bottom supports. Use sandbags on pavement. And in a breeze, use sandbags with the stakes.

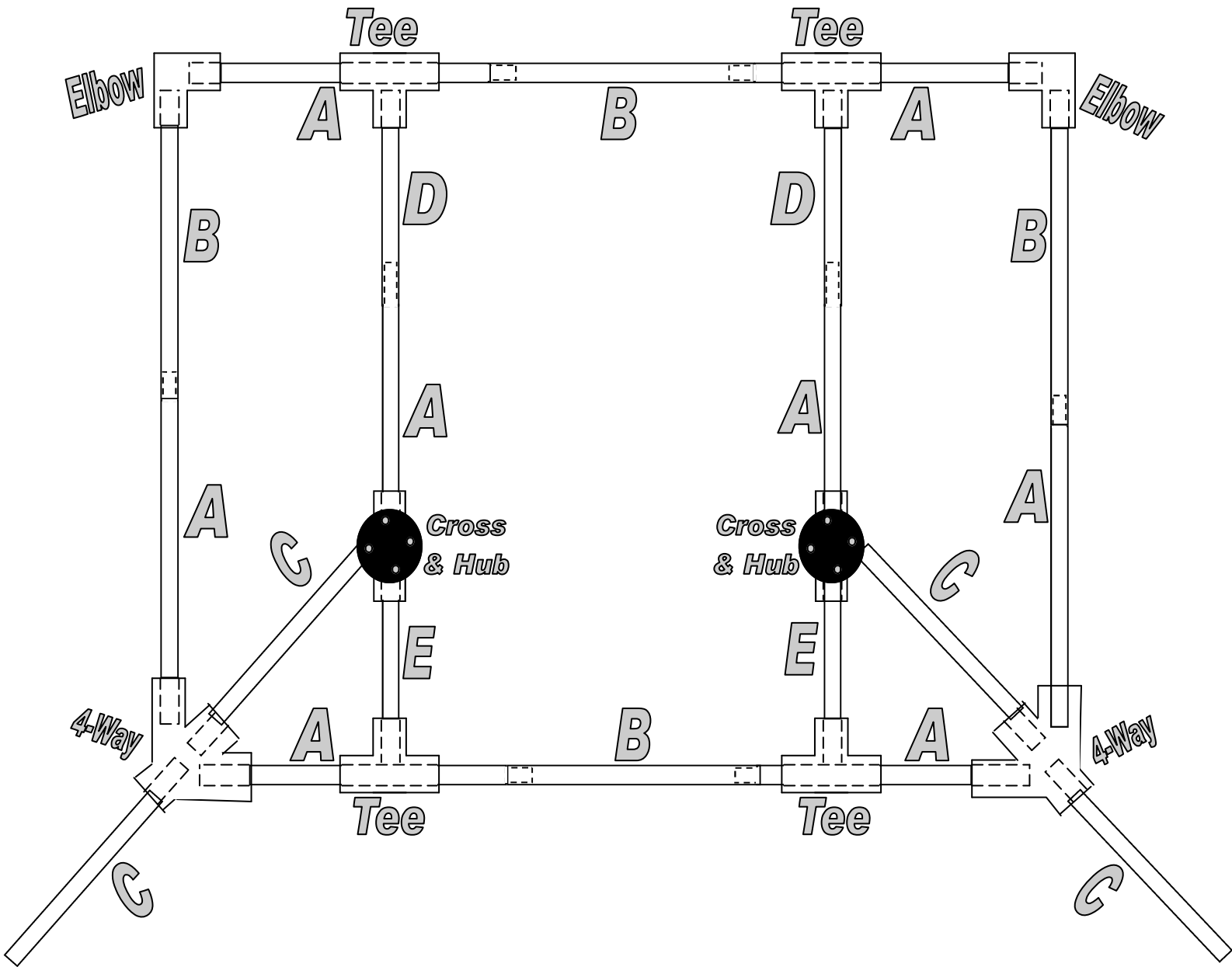
Helpful hint: Lubricate studs with WD-40 or silicone spray.

MAINTENANCE

1. If game becomes wet, dry thoroughly before storing.
2. Fold the canvas *inward* to help protect and keep it clean.

🚩 Pit Stop Challenge 🚩

Assembly Sketch



Pipes:

A — 44.5"(swaged)

B — 41.5"

C — 36"

D — 23"

E — 16.5"

Pit Stop Challenge

Safety Instructions

1. If using game outdoors, it is strongly suggested that you use the stakes provided on either side of the bottom supports. Use sandbags on pavement. And in a breeze, use sandbags with the stakes.
2. **NEVER USE THE GAME IN STRONG WINDS OR LIGHTNING!!**
3. Use caution when setting up or taking down the game. Once the bolts are loosened the sections of tubing can come apart and fall down causing injury.
4. Be sure that there is plenty of clearance between the player and spectators.
5. **NEVER LEAVE GAME UNATTENDED.**



**DO NOT USE IN RAIN, WIND,
LIGHTENING, OR WET AREAS.**

Pit Stop Challenge

Some Helpful Hints . . .

- Use a ground tarp to minimize dirt in the threads.
- Lubricate studs with WD-40 or silicone spray.
- Instruct players to start lug nuts by hand before using the air impact wrench.